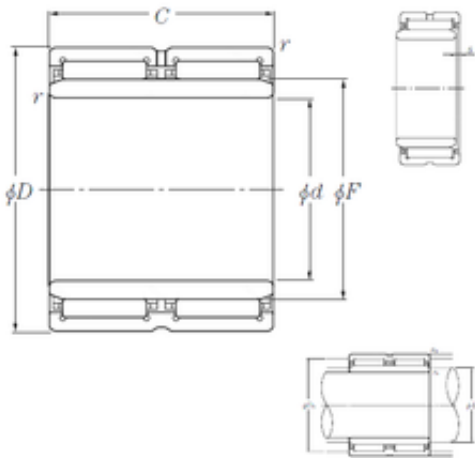




GF BEARING-SINGAPORE LTD.



40 mm x 62 mm x 40 mm NTN NA6908R Needle roller bearing-with inner ring

Bearing No. NA6908R

NA6908R Bearing 2D drawings and 3D CAD models

Size	40x62x40 mm
Bore Diameter	40 mm
Outer Diameter	62 mm
Width	40 mm
d	40 mm
F	48 mm
D	62 mm
B	40 mm
C	40 mm
r min.	0,6 mm
s	0,5 mm
da min.	44 mm
Da max.	58 mm
ra max.	0,6 mm
Weight	0,426 Kg
Basic dynamic load rating (C)	67 kN
Basic static load rating (C0)	116 kN
(Grease) Lubrication Speed	5 500 r/min
rs min	0.6 mm
s max	0.5 mm
Dw	5 mm
Lw	14.8 mm
Lubrication hole on outer ring	Oui/Yes
k	2.5 mm



GF BEARING-SINGAPORE LTD.

Lubrication hole on inner ring	Non/No
Radial clearance class	CN
Precision class	P0
Mass	0.43 kg
Cr	67 kN
C0r	116 kN
Nlim (grease)	5,500 rpm
Nlim (oil)	8,500 rpm
Min operating temperature, Tmin	-20 ° C
Max operating temperature, Tmax	120 ° C
Characteristic cage frequency, FTF	0.45 Hz
Characteristic rolling element frequency, BSF	10.51 Hz
Characteristic outer ring frequency, BPF0	9.96 Hz
Characteristic inner ring frequency, BPF1	12.04 Hz
da min	44 mm
Da max	58 mm
ras max	0.6 mm
Category	Roller Bearings
Inventory	0.0
Manufacturer Name	NTN
Minimum Buy Quantity	N/A
Weight / Kilogram	0.448
EAN	4547359114119
Product Group	B04144