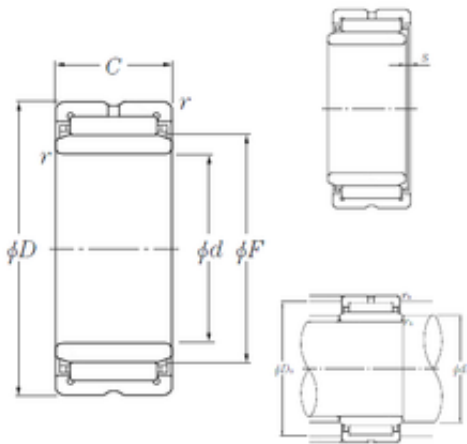




## GF BEARING-SINGAPORE LTD.



### 22 mm x 39 mm x 23 mm NTN NA59/22 Needle roller bearing-with inner ring

Bearing No. NA59/22

Size	22x39x23 mm
Bore Diameter	22 mm
Outer Diameter	39 mm
Width	23 mm
d	22 mm
F	28 mm
D	39 mm
B	23 mm
C	23 mm
r min.	0,3 mm
s	0,8 mm
da min.	24 mm
Da max.	37 mm
ra max.	0,3 mm
Weight	0,134 Kg
Basic dynamic load rating (C)	26,4 kN
Basic static load rating (C0)	37,5 kN
(Grease) Lubrication Speed	9 500 r/min
rs min	0.3 mm
s max	0.8 mm
Dw	3.5 mm
Lw	17.8 mm
Lubrication hole on outer ring	Oui/Yes
k	2.5 mm

NA59/22 Bearing 2D drawings and 3D CAD models



## GF BEARING-SINGAPORE LTD.

Lubrication hole on inner ring	Non/No
Radial clearance class	CN
Precision class	P0
Mass	0.13 kg
Cr	26.4 kN
C0r	37.5 kN
Nlim (grease)	9,500 rpm
Nlim (oil)	14,000 rpm
Min operating temperature, Tmin	-20 ° C
Max operating temperature, Tmax	120 ° C
Characteristic cage frequency, FTF	0.44 Hz
Characteristic rolling element frequency, BSF	8.89 Hz
Characteristic outer ring frequency, BPF0	7.56 Hz
Characteristic inner ring frequency, BPF1	9.44 Hz
da min	24 mm
Da max	37 mm
ras max	0.3 mm
Category	Roller Bearings
Inventory	0.0
Manufacturer Name	NTN
Minimum Buy Quantity	N/A
Weight / Kilogram	0.124
EAN	4547359113648
Product Group	B04144
bore diameter:	0.8661 in
closure type:	Open
outside diameter:	1.5354 in



## GF BEARING-SINGAPORE LTD.

cage material:	Steel
overall width:	0.9055 in
manufacturer upc number:	4547359113648