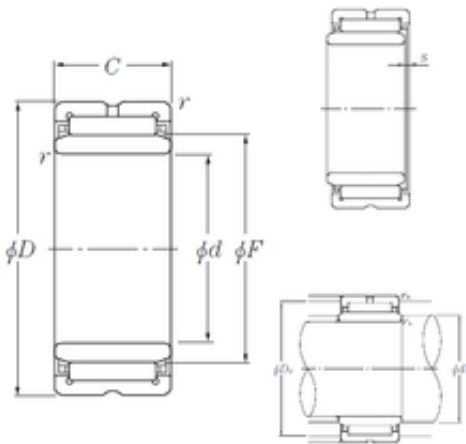




GF BEARING-SINGAPORE LTD.



100 mm x 140 mm x 40 mm NTN NA4920 Needle roller bearing-with inner ring

Bearing No. NA4920

Size	100x140x40 mm
Bore Diameter	100 mm
Outer Diameter	140 mm
Width	40 mm
d	100 mm
F	115 mm
D	140 mm
B	40 mm
C	40 mm
r min.	1,1 mm
s	2 mm
da min.	106,5 mm
Da max.	133,5 mm
ra max.	1 mm
Weight	1,93 Kg
Basic dynamic load rating (C)	127 kN
Basic static load rating (C0)	260 kN
(Grease) Lubrication Speed	2 300 r/min
rs min	1.1 mm
s max	2 mm
Dw	7.5 mm
Lw	30 mm
Lubrication hole on outer ring	Oui/Yes
k	3.5 mm

NA4920 Bearing 2D drawings and 3D CAD models



GF BEARING-SINGAPORE LTD.

Lubrication hole on inner ring	Non/No
Radial clearance class	CN
Precision class	P0
Mass	1.93 kg
Cr	127 kN
C0r	260 kN
Nlim (grease)	2,300 rpm
Nlim (oil)	3,500 rpm
Min operating temperature, Tmin	-20 ° C
Max operating temperature, Tmax	120 ° C
Characteristic cage frequency, FTF	0.47 Hz
Characteristic rolling element frequency, BSF	16.27 Hz
Characteristic outer ring frequency, BPF0	14.08 Hz
Characteristic inner ring frequency, BPF1	15.92 Hz
da min	106.5 mm
Da max	133.5 mm
ras max	1 mm
Category	Roller Bearings
Inventory	0.0
Manufacturer Name	NTN
Minimum Buy Quantity	N/A
Weight / Kilogram	1.994
Product Group	B04144