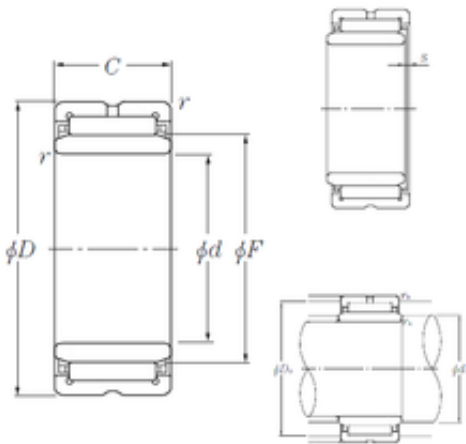




GF BEARING-SINGAPORE LTD.



170 mm x 215 mm x 45 mm NTN NA4834 Needle roller bearing-with inner ring

Bearing No. NA4834

Size	170x215x45 mm
Bore Diameter	170 mm
Outer Diameter	215 mm
Width	45 mm
d	170 mm
F	185 mm
D	215 mm
B	45 mm
C	45 mm
r min.	1,1 mm
s	1,5 mm
da min.	176,5 mm
Da max.	208,5 mm
ra max.	1 mm
Weight	3,99 Kg
Basic dynamic load rating (C)	185 kN
Basic static load rating (C0)	495 kN
(Grease) Lubrication Speed	1 500 r/min
rs min	1.1 mm
s max	1.5 mm
Dw	7.5 mm
Lw	36 mm
Lubrication hole on outer ring	Oui/Yes
k	3.5 mm

NA4834 Bearing 2D drawings and 3D CAD models



GF BEARING-SINGAPORE LTD.

Lubrication hole on inner ring	Non/No
Radial clearance class	CN
Precision class	P0
Mass	3.99 kg
Cr	185 kN
C0r	495 kN
Nlim (grease)	1,500 rpm
Nlim (oil)	2,200 rpm
Min operating temperature, Tmin	-20 ° C
Max operating temperature, Tmax	120 ° C
Characteristic cage frequency, FTF	0.48 Hz
Characteristic rolling element frequency, BSF	25.63 Hz
Characteristic outer ring frequency, BPF0	22.1 Hz
Characteristic inner ring frequency, BPF1	23.9 Hz
da min	176.5 mm
Da max	208.5 mm
ras max	1 mm
Category	Roller Bearings
Inventory	0.0
Manufacturer Name	NTN
Minimum Buy Quantity	N/A
Weight / Kilogram	3.99
EAN	4547359112870
Product Group	B04144