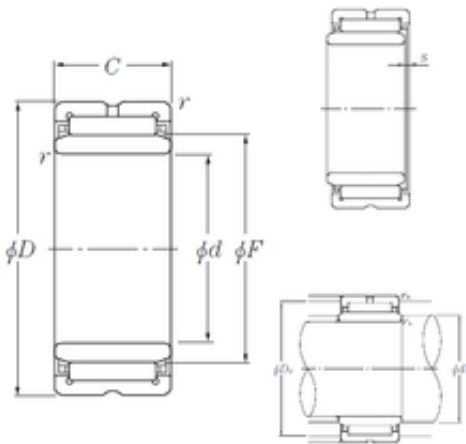




GF BEARING-SINGAPORE LTD.



12 mm x 24 mm x 13 mm NTN NA4901R Needle roller bearing-with inner ring

Bearing No. NA4901R

Size	12x24x13 mm
Bore Diameter	12 mm
Outer Diameter	24 mm
Width	13 mm
d	12 mm
F	16 mm
D	24 mm
B	13 mm
C	13 mm
r min.	0,3 mm
s	0,5 mm
da min.	14 mm
Da max.	22 mm
ra max.	0,3 mm
Weight	0,026 Kg
Basic dynamic load rating (C)	9,55 kN
Basic static load rating (C0)	10,9 kN
(Grease) Lubrication Speed	15 000 r/min
rs min	0.3 mm
s max	0.5 mm
Dw	2.5 mm
Lw	9.8 mm
Lubrication hole on outer ring	Oui/Yes
k	2 mm

NA4901R Bearing 2D drawings and 3D CAD models



GF BEARING-SINGAPORE LTD.

Lubrication hole on inner ring	Non/No
Radial clearance class	CN
Precision class	P0
Mass	0.03 kg
Cr	9.55 kN
C0r	10.9 kN
Nlim (grease)	15,000 rpm
Nlim (oil)	23,000 rpm
Min operating temperature, Tmin	-20 ° C
Max operating temperature, Tmax	120 ° C
Characteristic cage frequency, FTF	0.43 Hz
Characteristic rolling element frequency, BSF	7.26 Hz
Characteristic outer ring frequency, BPF0	6.05 Hz
Characteristic inner ring frequency, BPF1	7.95 Hz
da min	14 mm
Da max	22 mm
ras max	0.3 mm
Category	Bearings
Inventory	0.0
Manufacturer Name	NTN
Minimum Buy Quantity	N/A
Weight / Kilogram	0.031
Product Group	B04144