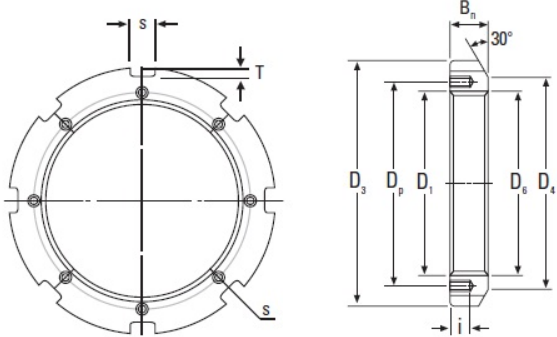




GF BEARING-SINGAPORE LTD.

timken HM30/500 Metric Locknut



Bearing No. HM30/500

Thread D_1^1	Tr500x5
D_3	580 mm
D_4	550 mm
B_n	68 mm
s	36 mm
T	15 mm
i	21 mm
Tapped Hole Threads	M12x1.75
D_p	522 mm
Weight	33.60 Kg
Suitable Lockplate No.	MS30/500

HM30/500 Bearing 2D drawings and 3D CAD models