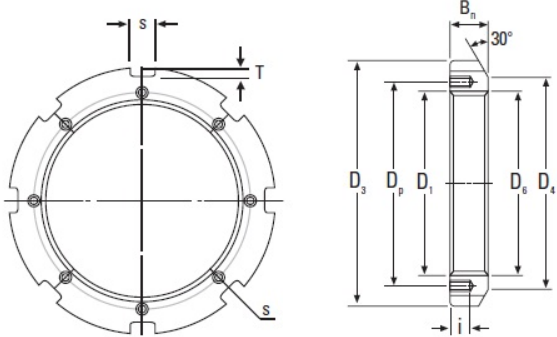




# GF BEARING-SINGAPORE LTD.

## timken HM3088 Metric Locknut



Bearing No. HM3088

Thread $D_1^1$	Tr440x5
$D_3$	520 mm
$D_4$	490 mm
$B_n$	60 mm
s	32 mm
T	15 mm
i	21 mm
Tapped Hole Threads	M12x1.75
$D_p$	462 mm
Weight	26.20 Kg
Suitable Lockplate No.	MS3088

HM3088 Bearing 2D drawings and 3D CAD models