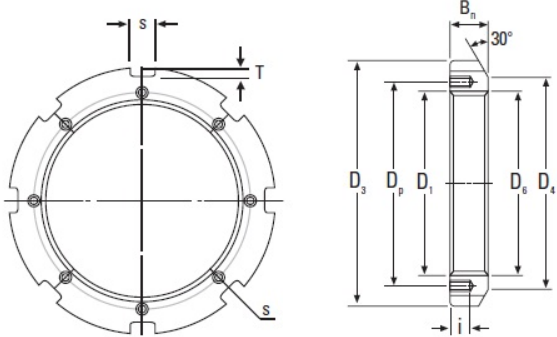




GF BEARING-SINGAPORE LTD.

timken HM3048 Metric Locknut



Bearing No. HM3048

Thread D_1^1	Tr240x4
D_3	290 mm
D_4	270 mm
B_n	34 mm
s	20 mm
T	10 mm
i	15 mm
Tapped Hole Threads	M8x1.25
D_p	253 mm
Weight	5.16 Kg
Suitable Lockplate No.	MS3048

HM3048 Bearing 2D drawings and 3D CAD models