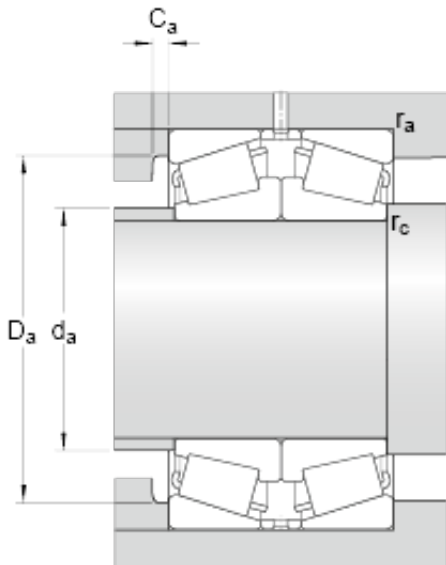




GF BEARING-SINGAPORE LTD.



32218/DF Bearing 2D drawings and 3D CAD models

skf 32218/DF Matched Single row tapered roller bearings arranged face-to-face

Bearing No. 32218/DF

d	90 mm
D	160 mm
T	85 mm
2B	80 mm
b	10 mm
K	4.5 mm
$r_{3,4}$ min.	2 mm
r_5 min.	0.6 mm
d_a max.	103 mm
D_a min.	138 mm
D_a max.	150 mm
C_a min.	5 mm
r_a max.	2 mm
r_c max.	0.6 mm
Basic dynamic load rating C	529 kN
Basic static load rating C_0	680 kN
Fatigue load limit P_u	76.5 kN
Reference speed	2600 r/min
Limiting speed	4000 r/min
Calculation factor e	0.43
Calculation factor Y_1	1.6
Calculation factor Y_2	2.3
Calculation factor Y_0	1.6
Mass bearing pair	6.86 kg