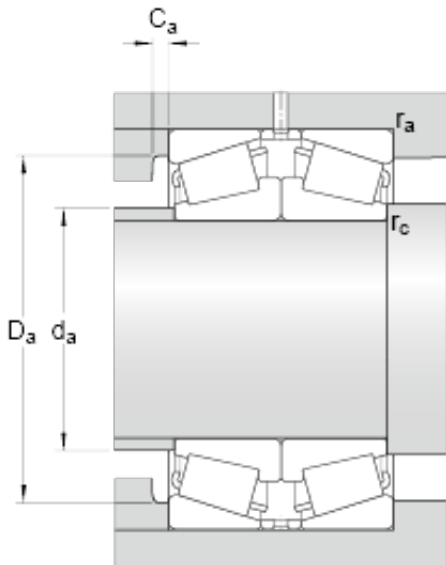




GF BEARING-SINGAPORE LTD.



33018/DF Bearing 2D drawings and 3D CAD models

skf 33018/DF Matched Single row tapered roller bearings arranged face-to-face

Bearing No. 33018/DF

d	90 mm
D	140 mm
T	78 mm
2B	78 mm
b	8.4 mm
K	6 mm
$r_{3,4}$ min.	1.5 mm
r_5 min.	0.6 mm
d_a max.	101 mm
D_a min.	127 mm
D_a max.	131 mm
C_a min.	7 mm
r_a max.	1.5 mm
r_c max.	0.6 mm
Basic dynamic load rating C	457 kN
Basic static load rating C_0	710 kN
Fatigue load limit P_u	78 kN
Reference speed	3000 r/min
Limiting speed	4500 r/min
Calculation factor e	0.27
Calculation factor Y_1	2.5
Calculation factor Y_2	3.7
Calculation factor Y_0	2.5
Mass bearing pair	4.5 kg