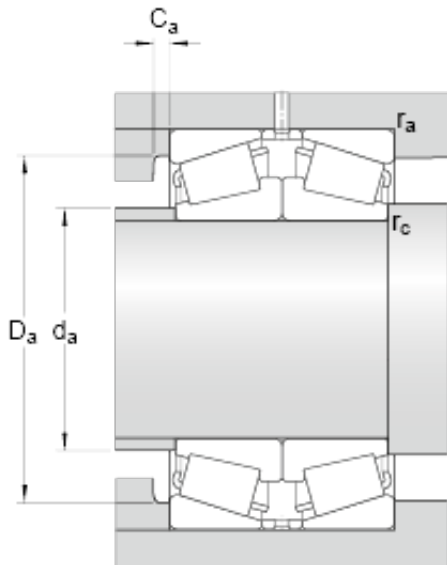




GF BEARING-SINGAPORE LTD.



31316/DF Bearing 2D drawings and 3D CAD models

skf 31316/DF Matched Single row tapered roller bearings arranged face-to-face

Bearing No. 31316/DF

d	80 mm
D	170 mm
T	85 mm
2B	78 mm
b	15 mm
K	10 mm
$r_{3,4}$ min.	2.5 mm
r_5 min.	1 mm
d_a max.	97 mm
D_a min.	134 mm
D_a max.	159 mm
C_a min.	5 mm
r_a max.	2.5 mm
r_c max.	1 mm
Basic dynamic load rating C	473 kN
Basic static load rating C_0	530 kN
Fatigue load limit P_u	61 kN
Reference speed	2400 r/min
Limiting speed	4000 r/min
Calculation factor e	0.83
Calculation factor Y_1	0.81
Calculation factor Y_2	1.2
Calculation factor Y_0	0.8
Mass bearing pair	8.66 kg