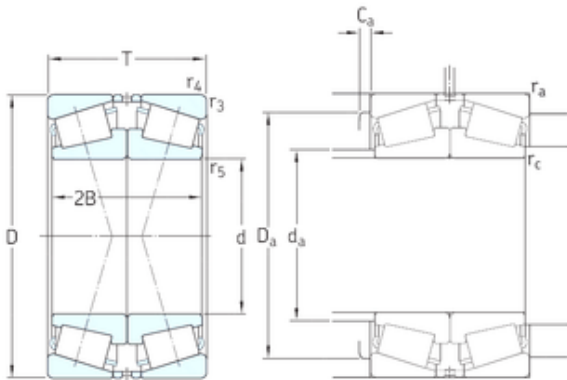




## GF BEARING-SINGAPORE LTD.



190 mm x 260 mm x 45 mm skf 32938/DF  
Matched Single row tapered roller bearings  
arranged face-to-face

Bearing No. 32938/DF

32938/DF Bearing 2D drawings and 3D CAD models

|                               |               |
|-------------------------------|---------------|
| Size                          | 190x260x90 mm |
| Bore Diameter                 | 190 mm        |
| Outer Diameter                | 260 mm        |
| Width                         | 90 mm         |
| d                             | 190 mm        |
| D                             | 260 mm        |
| T                             | 90 mm         |
| B                             | 45 mm         |
| r3 min.                       | 2 mm          |
| r4 min.                       | 2 mm          |
| r5 min.                       | 0,6 mm        |
| 2B                            | 90 mm         |
| Ca max.                       | 8 mm          |
| da max                        | 204 mm        |
| Da min                        | 235 mm        |
| Da max.                       | 248 mm        |
| ra max.                       | 2 mm          |
| rc max.                       | 0,6 mm        |
| Weight                        | 14,5 Kg       |
| Basic dynamic load rating (C) | 616 kN        |
| Basic static load rating (C0) | 1530 kN       |
| Fatigue load limit (Pu)       | 143           |
| Reference speed               | 1300 r/min    |
| Limiting speed                | 2400 r/min    |



## GF BEARING-SINGAPORE LTD.

|   |         |
|---|---------|
| Calculation factor (e)                  | 0,48    |
| Calculation factor (Y0)                 | 1,4     |
| Calculation factor (Y1)                 | 1,4     |
| b                                       | 10 mm   |
| K                                       | 7.5 mm  |
| r <sub>3,4</sub> min.                   | 2 mm    |
| r <sub>5</sub> min.                     | 0.6 mm  |
| d <sub>a</sub> max.                     | 205 mm  |
| D <sub>a</sub> min.                     | 235 mm  |
| D <sub>a</sub> max.                     | 248 mm  |
| C <sub>a</sub> min.                     | 8 mm    |
| r <sub>a</sub> max.                     | 2 mm    |
| r <sub>c</sub> max.                     | 0.6 mm  |
| Basic dynamic load rating C             | 760 kN  |
| Basic static load rating C <sub>0</sub> | 1530 kN |
| Fatigue load limit P <sub>u</sub>       | 143 kN  |
| Calculation factor e                    | 0.48    |
| Calculation factor Y <sub>1</sub>       | 1.4     |
| Calculation factor Y <sub>2</sub>       | 2.1     |
| Calculation factor Y <sub>0</sub>       | 1.4     |
| Mass bearing pair                       | 14.5 kg |