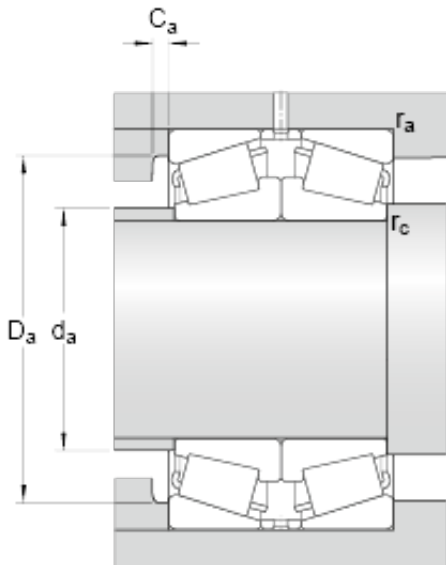




GF BEARING-SINGAPORE LTD.

skf 32060 X/DF Matched Single row tapered roller bearings arranged face-to-face

Bearing No. 32060 X/DF



32060 X/DF Bearing 2D drawings and 3D CAD models

d	300 mm
D	460 mm
T	200 mm
2B	200 mm
b	20 mm
K	12 mm
$r_{3,4}$ min.	4 mm
r_5 min.	1.5 mm
d_a max.	330 mm
D_a min.	404 mm
D_a max.	440 mm
C_a min.	10 mm
r_a max.	1.5 mm
r_c max.	1.5 mm
Basic dynamic load rating C	2818 kN
Basic static load rating C_0	6000 kN
Fatigue load limit P_u	490 kN
Reference speed	750 r/min
Limiting speed	1200 r/min
Calculation factor e	0.43
Calculation factor Y_1	1.6
Calculation factor Y_2	2.3
Calculation factor Y_0	1.6
Mass bearing pair	119 kg