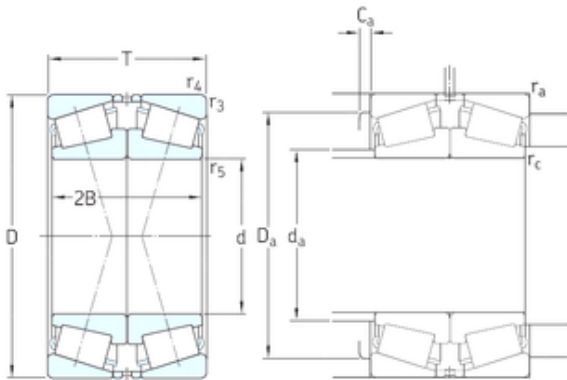




GF BEARING-SINGAPORE LTD.



110 mm x 180 mm x 56 mm skf 33122/DF
Matched Single row tapered roller bearings
arranged face-to-face

Bearing No. 33122/DF

33122/DF Bearing 2D drawings and 3D CAD models

Size	110x180x112 mm
Bore Diameter	110 mm
Outer Diameter	180 mm
Width	112 mm
d	110 mm
D	180 mm
T	112 mm
B	56 mm
r3 min.	2 mm
r4 min.	2 mm
r5 min.	0,6 mm
2B	112 mm
Ca max.	9 mm
da max	121 mm
Da min	155 mm
Da max.	170 mm
ra max.	2 mm
rc max.	0,6 mm
Weight	11,5 Kg
Basic dynamic load rating (C)	627 kN
Basic static load rating (C0)	1250 kN
Fatigue load limit (Pu)	134
Reference speed	2000 r/min
Limiting speed	3400 r/min



GF BEARING-SINGAPORE LTD.

Calculation factor (e)	0,43
Calculation factor (Y0)	1,6
Calculation factor (Y1)	1,6
b	15 mm
K	7.5 mm
r _{3,4} min.	2 mm
r ₅ min.	0.6 mm
d _a max.	122 mm
D _a min.	155 mm
D _a max.	169.5 mm
C _a min.	9 mm
r _a max.	2 mm
r _c max.	0.6 mm
Basic dynamic load rating C	781 kN
Basic static load rating C ₀	1250 kN
Fatigue load limit P _u	132 kN
Calculation factor e	0.43
Calculation factor Y ₁	1.6
Calculation factor Y ₂	2.3
Calculation factor Y ₀	1.6
Mass bearing pair	11.3 kg