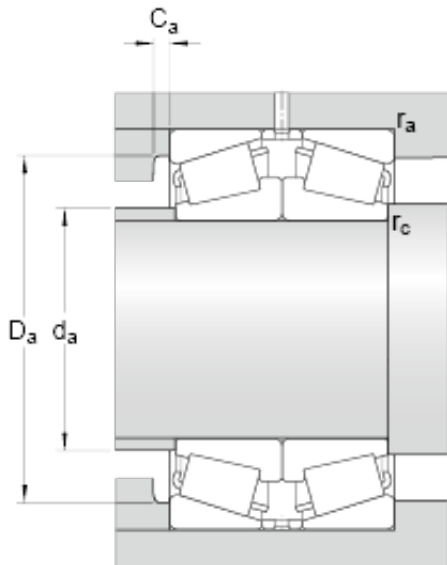




GF BEARING-SINGAPORE LTD.



32210/DF Bearing 2D drawings and 3D CAD models

skf 32210/DF Matched Single row tapered roller bearings arranged face-to-face

Bearing No. 32210/DF

d	50 mm
D	90 mm
T	49.5 mm
2B	46 mm
b	7 mm
K	3 mm
$r_{3,4}$ min.	1.5 mm
r_5 min.	0.6 mm
d_a max.	58 mm
D_a min.	78 mm
D_a max.	82 mm
C_a min.	3 mm
r_a max.	1.5 mm
r_c max.	0.6 mm
Basic dynamic load rating C	173 kN
Basic static load rating C_0	200 kN
Fatigue load limit P_u	22.8 kN
Reference speed	4800 r/min
Limiting speed	7500 r/min
Calculation factor e	0.43
Calculation factor Y_1	1.6
Calculation factor Y_2	2.3
Calculation factor Y_0	1.6
Mass bearing pair	1.28 kg