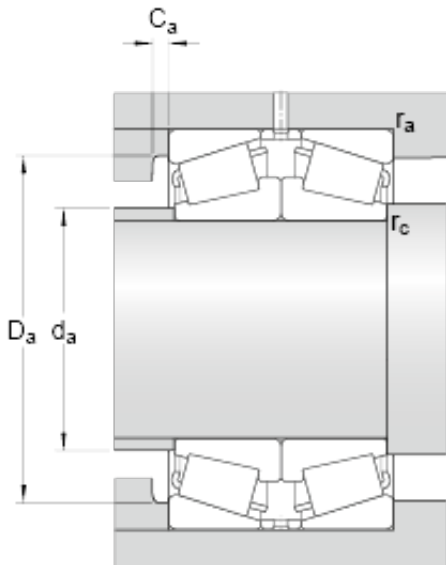




GF BEARING-SINGAPORE LTD.

skf 31320 X/DF Matched Single row tapered roller bearings arranged face-to-face

Bearing No. 31320 X/DF



31320 X/DF Bearing 2D drawings and 3D CAD models

d	100 mm
D	215 mm
T	113 mm
2B	102 mm
b	13.15 mm
K	10 mm
$r_{3,4}$ min.	3 mm
r_5 min.	1 mm
d_a max.	121 mm
D_a min.	168 mm
D_a max.	202.5 mm
C_a min.	7 mm
r_a max.	3 mm
r_c max.	1 mm
Basic dynamic load rating C	685 kN
Basic static load rating C_0	930 kN
Fatigue load limit P_u	102 kN
Reference speed	1700 r/min
Limiting speed	3000 r/min
Calculation factor e	0.83
Calculation factor Y_1	0.81
Calculation factor Y_2	1.2
Calculation factor Y_0	0.8
Mass bearing pair	18.4 kg