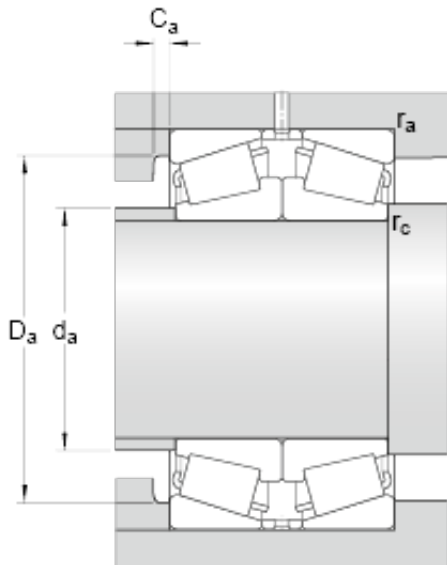




GF BEARING-SINGAPORE LTD.



31318/DF Bearing 2D drawings and 3D CAD models

skf 31318/DF Matched Single row tapered roller bearings arranged face-to-face

Bearing No. 31318/DF

d	90 mm
D	190 mm
T	93 mm
2B	86 mm
b	15 mm
K	10 mm
$r_{3,4}$ min.	3 mm
r_5 min.	1 mm
d_a max.	110 mm
D_a min.	151 mm
D_a max.	177.5 mm
C_a min.	5 mm
r_a max.	3 mm
r_c max.	1 mm
Basic dynamic load rating C	486 kN
Basic static load rating C_0	630 kN
Fatigue load limit P_u	71 kN
Reference speed	1900 r/min
Limiting speed	3400 r/min
Calculation factor e	0.83
Calculation factor Y_1	0.81
Calculation factor Y_2	1.2
Calculation factor Y_0	0.8
Mass bearing pair	11.4 kg