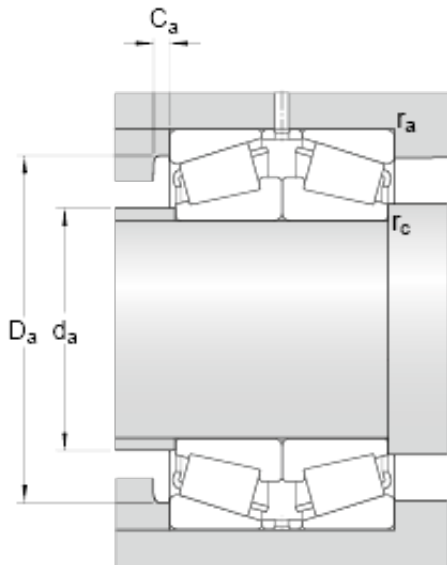




GF BEARING-SINGAPORE LTD.

skf 32038 X/L4BDF Matched Single row tapered roller bearings arranged face-to-face

Bearing No. 32038 X/L4BDF



32038 X/L4BDF Bearing 2D drawings and 3D CAD models

d	190 mm
D	290 mm
T	128 mm
2B	128 mm
b	15 mm
K	10 mm
$r_{3,4}$ min.	2.5 mm
r_5 min.	1 mm
d_a max.	210 mm
D_a min.	257 mm
D_a max.	276.5 mm
C_a min.	10 mm
r_c max.	1 mm
Basic dynamic load rating C	1381 kN
Basic static load rating C_0	2400 kN
Fatigue load limit P_u	224 kN
Reference speed	1300 r/min
Limiting speed	2000 r/min
Calculation factor e	0.44
Calculation factor Y_1	1.5
Calculation factor Y_2	2.3
Calculation factor Y_0	1.4
Mass bearing pair	30.6 kg