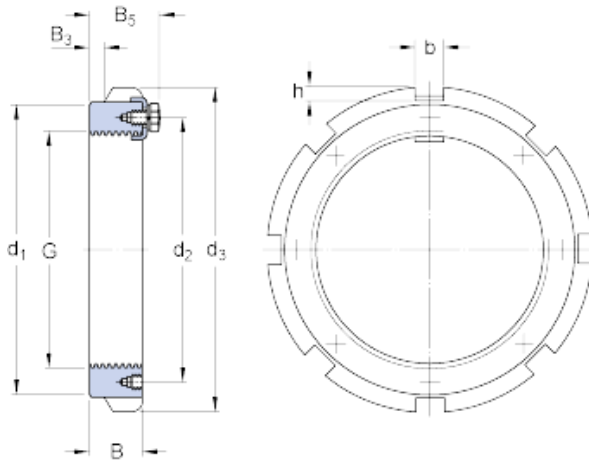




GF BEARING-SINGAPORE LTD.



skf HME 30/750 Lock nuts requiring a keyway
(metric)

Bearing No. HME 30/750

G	Tr 750x7
d ₃	870 mm
B	90 mm
d ₁	820 mm
d ₂	782 mm
B ₃	20 mm
B ₅	112 mm
b	55 mm
h	25 mm
Mass lock nut	85.5 kg
Associated spanner	TMFN 600-750
Associated eyebolt for handling	M 12
Lock washer / Locking clip	MS 30/800-750

HME 30/750 Bearing 2D drawings and 3D CAD models