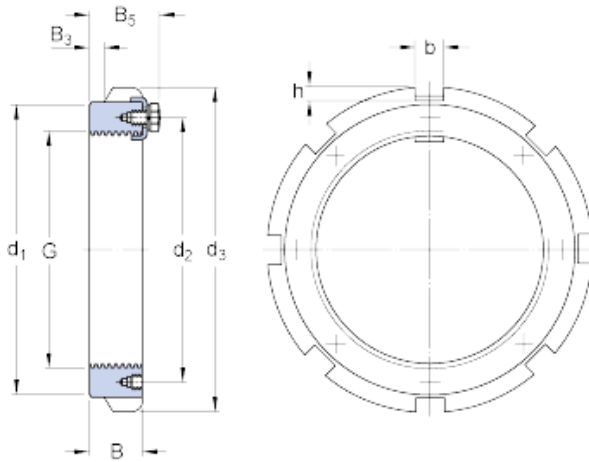




# GF BEARING-SINGAPORE LTD.



skf HME 30/800 Lock nuts requiring a keyway  
(metric)

Bearing No. HME 30/800

G	Tr 800x7
d <sub>3</sub>	920 mm
B	90 mm
d <sub>1</sub>	870 mm
d <sub>2</sub>	832 mm
B <sub>3</sub>	20 mm
B <sub>5</sub>	112 mm
b	55 mm
h	25 mm
Mass lock nut	90.5 kg
Associated spanner	TMFN 600-750
Associated eyebolt for handling	M 12

HME 30/800 Bearing 2D drawings and 3D CAD models