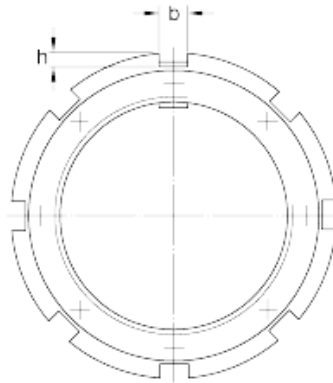
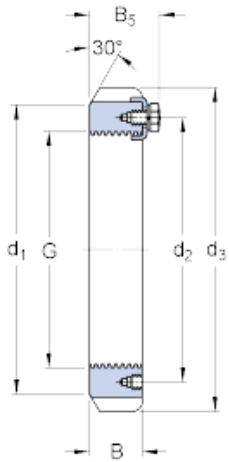




GF BEARING-SINGAPORE LTD.



skf HM 31/500 Lock nuts requiring a keyway
(metric)

Bearing No. HM 31/500

G	Tr 500x5
d ₃	630 mm
B	80 mm
d ₁	580 mm
d ₂	540 mm
B ₅	100 mm
b	40 mm
h	23 mm
Mass lock nut	67.5 kg
Associated spanner	TMFN 500-600
Associated eyebolt for handling	M 10
Lock washer / Locking clip	MS 31/500

HM 31/500 Bearing 2D drawings and 3D CAD models