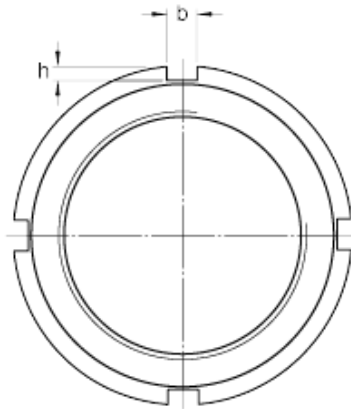
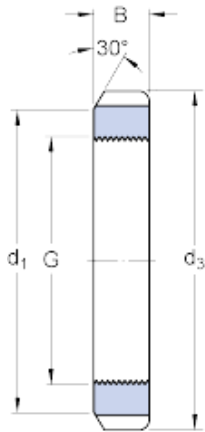




GF BEARING-SINGAPORE LTD.



skf KML 26 Lock nuts requiring a keyway
(metric)

Bearing No. KML 26

G	M 130x2
d ₃	155 mm
B	21 mm
d ₁	145 mm
b	12 mm
h	5 mm
Axial static load carrying capacity	285 kN
Mass lock nut	0.8 kg
Associated spanner	TMFN 23-30
Lock washer / Locking clip	MBL 26

KML 26 Bearing 2D drawings and 3D CAD models