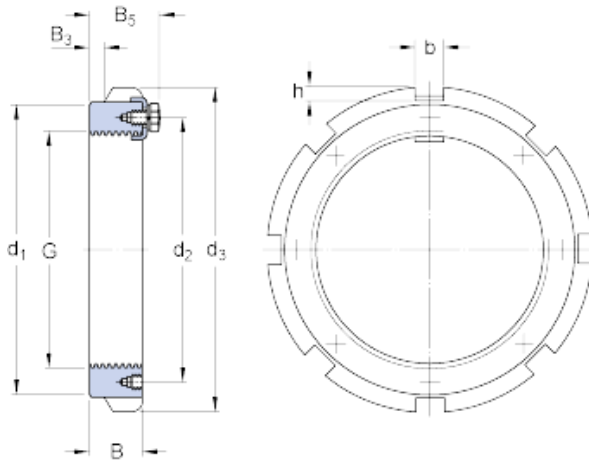




GF BEARING-SINGAPORE LTD.



skf HME 3088 Lock nuts requiring a keyway
(metric)

Bearing No. HME 3088

G	Tr 440x5
d ₃	520 mm
B	60 mm
d ₁	488 mm
d ₂	463 mm
B ₃	12 mm
B ₅	77 mm
b	32 mm
h	15 mm
Mass lock nut	24 kg
Associated spanner	TMFN 64-80
Associated eyebolt for handling	M 10
Lock washer / Locking clip	MS 3092-88

HME 3088 Bearing 2D drawings and 3D CAD models