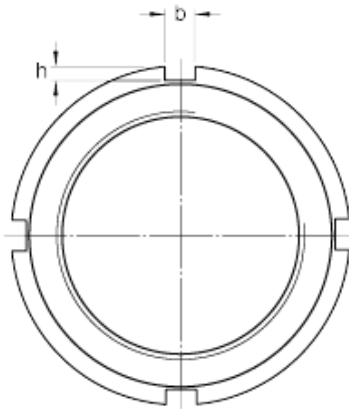
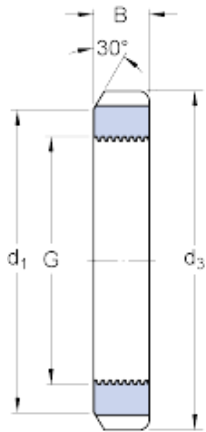




GF BEARING-SINGAPORE LTD.



skf HM 46 T Lock nuts requiring a keyway
(metric)

Bearing No. HM 46 T

G	Tr 230x4
d ₃	290 mm
B	34 mm
d ₁	260 mm
b	20 mm
h	10 mm
Mass lock nut	5.45 kg
Associated spanner	TMFN 40-52

HM 46 T Bearing 2D drawings and 3D CAD models