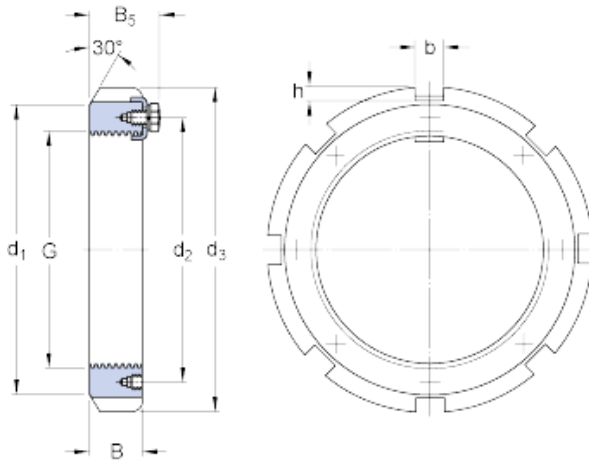




GF BEARING-SINGAPORE LTD.



skf HM 30/1000 Lock nuts requiring a keyway
(metric)

Bearing No. HM 30/1000

G	Tr 1000x8
d ₃	1140 mm
B	100 mm
d ₁	1085 mm
d ₂	1040 mm
B ₅	125 mm
b	60 mm
h	25 mm
Mass lock nut	178 kg
Associated eyebolt for handling	M 16
Lock washer / Locking clip	MS 30/1000

HM 30/1000 Bearing 2D drawings and 3D CAD models