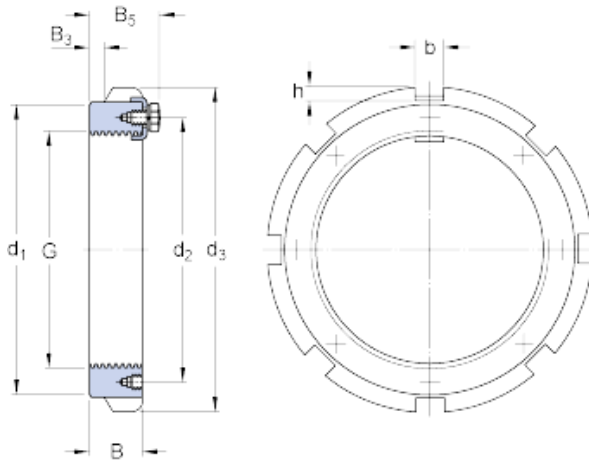




# GF BEARING-SINGAPORE LTD.



skf HME 3192 Lock nuts requiring a keyway  
(metric)

Bearing No. HME 3192

G	Tr 460x5
d <sub>3</sub>	580 mm
B	75 mm
d <sub>1</sub>	535 mm
d <sub>2</sub>	498 mm
B <sub>3</sub>	20 mm
B <sub>5</sub>	95 mm
b	36 mm
h	20 mm
Mass lock nut	45.5 kg
Associated spanner	TMFN 80-500
Associated eyebolt for handling	M 10
Lock washer / Locking clip	MS 3192-88

HME 3192 Bearing 2D drawings and 3D CAD models