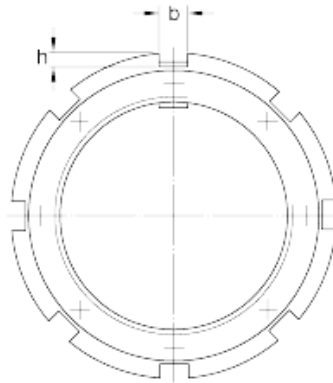
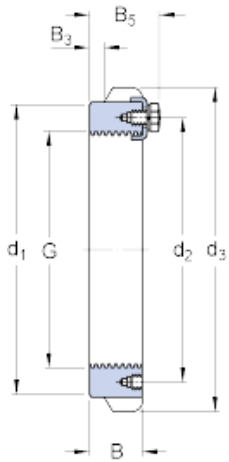




# GF BEARING-SINGAPORE LTD.



skf HME 3076 Lock nuts requiring a keyway  
(metric)

Bearing No. HME 3076

G	Tr 380x5
d <sub>3</sub>	450 mm
B	48 mm
d <sub>1</sub>	422 mm
d <sub>2</sub>	399 mm
B <sub>3</sub>	10 mm
B <sub>5</sub>	62 mm
b	28 mm
h	14 mm
Mass lock nut	14 kg
Associated spanner	TMFN 64-80

HME 3076 Bearing 2D drawings and 3D CAD models