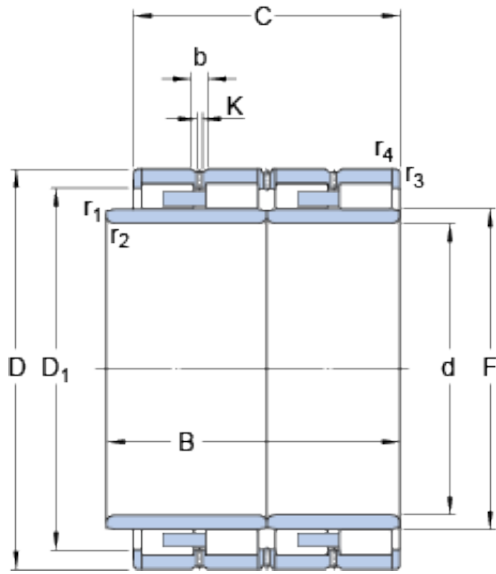




## GF BEARING-SINGAPORE LTD.

340 mm x 480 mm x 370 mm skf 319040 A Four-row cylindrical roller bearings



Bearing No. 319040 A

Size	480x340x370 mm
Bore Diameter	480 mm
Outer Diameter	340 mm
Width	370 mm
d	340 mm
D	480 mm
B	370 mm
C	350 mm
D <sub>1</sub>	435 mm
D <sub>1</sub>	435 mm
F	378 mm
b	11.1 mm
K	6 mm
r <sub>1,2</sub> - min.	4 mm
r <sub>3,4</sub> - min.	1.5 mm
Basic dynamic load rating - C	4570 kN
Basic static load rating - C <sub>0</sub>	11000 kN
Fatigue load limit - P <sub>u</sub>	1020 kN
Calculation factor - k <sub>r</sub>	650
Mass bearing	200 kg
Design variant/feature	BC4.18/W33GW
D <sub>1</sub>	435 mm
r <sub>1,2</sub> min.	4 mm
r <sub>3,4</sub> min.	1.5 mm

319040 A Bearing 2D drawings and 3D CAD models



## GF BEARING-SINGAPORE LTD.

Basic dynamic load rating C	4570 kN
Basic static load rating $C_0$	11000 kN
Fatigue load limit $P_u$	1020 kN
Calculation factor $k_f$	650