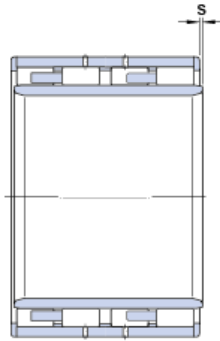
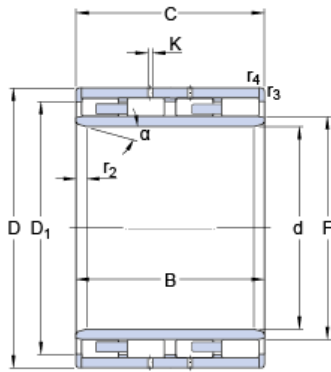




# GF BEARING-SINGAPORE LTD.



450 mm x 590 mm x 300 mm skf 315811 E Four-row cylindrical roller bearings

Bearing No. 315811 E

315811 E Bearing 2D drawings and 3D CAD models

Design variant/feature	BC4.5/W20
d	450 mm
D	590 mm
B	300 mm
C	300 mm
D <sub>1</sub>	528 mm
F	490 mm
K	6 mm
r <sub>1,2</sub> min.	12 mm
	45 °
r <sub>3,4</sub> min.	4 mm
Basic dynamic load rating C	3910 kN
Basic static load rating C <sub>0</sub>	12000 kN
Fatigue load limit P <sub>u</sub>	1020 kN
Calculation factor k <sub>r</sub>	440
Mass bearing	245 kg