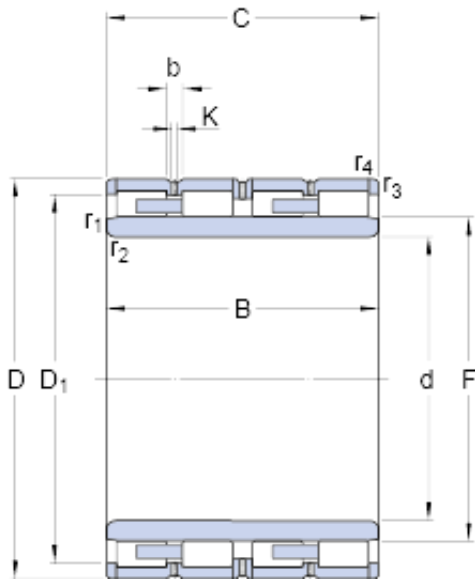




GF BEARING-SINGAPORE LTD.

500 mm x 720 mm x 400 mm skf BC4B 322066
Four-row cylindrical roller bearings



Bearing No. BC4B 322066

BC4B 322066 Bearing 2D drawings and 3D CAD models

Size	720x500x400 mm
Bore Diameter	720 mm
Outer Diameter	500 mm
Width	400 mm
d	500 mm
D	720 mm
B	400 mm
C	400 mm
D ₁	656 mm
D ₁	655.8 mm
F	558 mm
b	22.3 mm
K	22.3 mm
r _{1,2} - min.	4 mm
r _{3,4} - min.	1.5 mm
Basic dynamic load rating - C	8580 kN
Basic static load rating - C ₀	17600 kN
Fatigue load limit - P _u	1320 kN
Calculation factor - k _r	460
Mass bearing	544 kg
Design variant/feature	BC4.3/W33
D ₁	656 mm
r _{1,2} min.	4 mm
r _{3,4} min.	1.5 mm



GF BEARING-SINGAPORE LTD.

Basic dynamic load rating C	8580 kN
Basic static load rating C_0	17600 kN
Fatigue load limit P_u	1320 kN
Calculation factor k_f	460