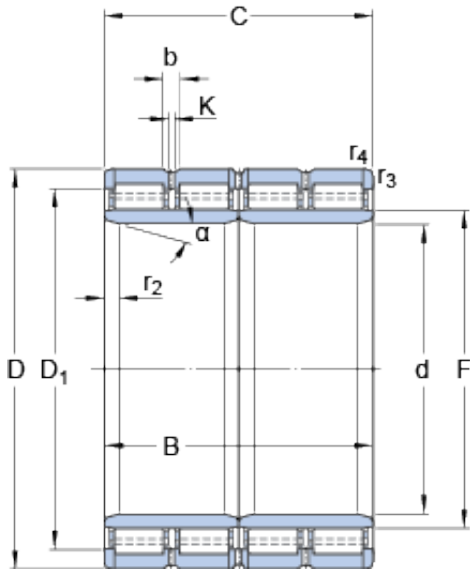




GF BEARING-SINGAPORE LTD.

900 mm x 1220 mm x 840 mm skf 316043 Four-row cylindrical roller bearings

Bearing No. 316043



316043 Bearing 2D drawings and 3D CAD models

Size	1220x900x840 mm
Bore Diameter	1220 mm
Outer Diameter	900 mm
Width	840 mm
d	900 mm
D	1220 mm
B	840 mm
C	840 mm
D ₁	1124.2 mm
D ₁	1124.2 mm
F	989 mm
b	22.3 mm
K	12 mm
r _{1,2} - min.	24 mm
	20 °
r _{3,4} - min.	4 mm
Basic dynamic load rating - C	28600 kN
Basic static load rating - C ₀	80000 kN
Fatigue load limit - P _u	5000 kN
Calculation factor - k _r	700
Mass bearing	2920 kg
Design variant/feature	BC4.10/W33WI
D ₁	1124.2 mm
r _{1,2} min.	24 mm



GF BEARING-SINGAPORE LTD.

	20 °
$r_{3,4}$ min.	4 mm
Basic dynamic load rating C	28600 kN
Basic static load rating C_0	80000 kN
Fatigue load limit P_u	5000 kN
Calculation factor k_r	700