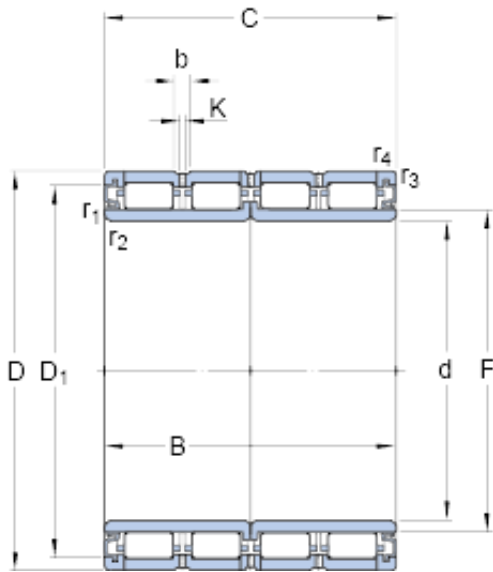




GF BEARING-SINGAPORE LTD.



BC4-8003/HA1VA907 Bearing 2D drawings and 3D CAD models

475 mm x 600 mm x 392 mm skf
BC4-8003/HA1VA907 Four-row cylindrical roller bearings

Bearing No. BC4-8003/HA1VA907

Size	600x475x392 mm
Bore Diameter	600 mm
Outer Diameter	475 mm
Width	392 mm
d	475 mm
D	600 mm
B	392 mm
C	392 mm
D ₁	562.3 mm
F	504 mm
b	16.7 mm
K	9 mm
r _{1,2} - min.	3 mm
r _{3,4} - min.	3 mm
Basic dynamic load rating - C	5500 kN
Basic static load rating - C ₀	14600 kN
Fatigue load limit - P _u	1270 kN
Calculation factor - k _r	500
Mass bearing	240 kg
Design variant/feature	BC4.22/W33G
D ₁	562.3 mm
r _{1,2} min.	3 mm
r _{3,4} min.	3 mm



GF BEARING-SINGAPORE LTD.

Basic dynamic load rating C	5500 kN
Basic static load rating C_0	14600 kN
Fatigue load limit P_u	1270 kN
Calculation factor k_f	500