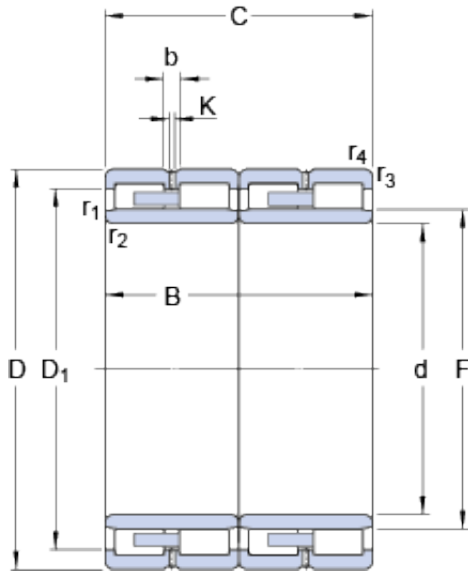




GF BEARING-SINGAPORE LTD.



239509 FA Bearing 2D drawings and 3D CAD models

660 mm x 820 mm x 440 mm skf 239509 FA
Four-row cylindrical roller bearings

Bearing No. 239509 FA

Size	820x660x440 mm
Bore Diameter	820 mm
Outer Diameter	660 mm
Width	440 mm
d	660 mm
D	820 mm
B	440 mm
C	440 mm
D ₁	766 mm
F	702 mm
b	22.3 mm
K	12 mm
r _{1,2} - min.	7.5 mm
r _{3,4} - min.	4 mm
Basic dynamic load rating - C	8090 kN
Basic static load rating - C ₀	22800 kN
Fatigue load limit - P _u	1760 kN
Calculation factor - k _r	410
Mass bearing	514 kg
Design variant/feature	BC4.7/W33W
D ₁	766 mm
r _{1,2} min.	7.5 mm
r _{3,4} min.	4 mm
Basic dynamic load rating C	8090 kN



GF BEARING-SINGAPORE LTD.

Basic static load rating C_0	22800 kN
Fatigue load limit P_u	1760 kN
Calculation factor k_r	410