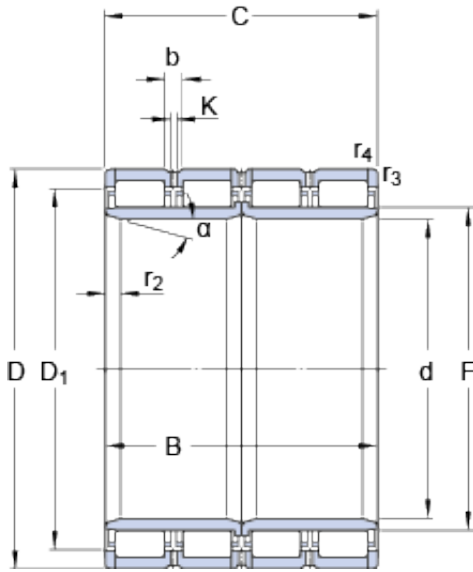




## GF BEARING-SINGAPORE LTD.

431.5 mm x 571.5 mm x 300 mm skf BC4B  
326361 B/HA1 Four-row cylindrical roller bearings

Bearing No. BC4B 326361 B/HA1



BC4B 326361 B/HA1 Bearing 2D drawings and 3D CAD models

Size	571.5x431.5x300 mm
Bore Diameter	571,5 mm
Outer Diameter	431,5 mm
Width	300 mm
d	431.5 mm
D	571.5 mm
B	300 mm
C	300 mm
D <sub>1</sub>	533 mm
F	465 mm
b	16.7 mm
K	9 mm
r <sub>1,2</sub> - min.	12 mm
	20 °
r <sub>3,4</sub> - min.	2 mm
Basic dynamic load rating - C	4460 kN
Basic static load rating - C <sub>0</sub>	10200 kN
Fatigue load limit - P <sub>u</sub>	880 kN
Calculation factor - k <sub>r</sub>	400
Mass bearing	210 kg
Design variant/feature	BC4.12/W33WI
D <sub>1</sub>	530.6 mm
r <sub>1,2</sub> min.	12 mm
	20 °



## GF BEARING-SINGAPORE LTD.

$r_{3,4}$ min.	2 mm
Basic dynamic load rating C	4460 kN
Basic static load rating $C_0$	10200 kN
Fatigue load limit $P_u$	880 kN
Calculation factor $k_r$	400