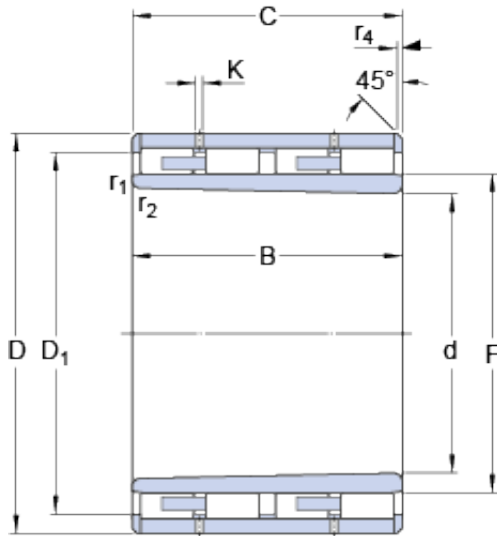




GF BEARING-SINGAPORE LTD.



633.334 mm x 960 mm x 680 mm skf BC4B
457969 Four-row cylindrical roller bearings

Bearing No. BC4B 457969

BC4B 457969 Bearing 2D drawings and 3D CAD models

Size	960x633.334x680 mm
Bore Diameter	960 mm
Outer Diameter	633,334 mm
Width	680 mm
d	633.334 mm
D	960 mm
B	680 mm
C	680 mm
D ₁	845.5 mm
D ₁	882.395 mm
F	745.73 mm
K	20 mm
r _{1,2} - min.	4 mm
r _{3,4} - min.	6.4 mm
Basic dynamic load rating - C	16800 kN
Basic static load rating - C ₀	45000 kN
Fatigue load limit - P _u	3150 kN
Calculation factor - k _r	680
Mass bearing	1730 kg
Design variant/feature	BC4T.4/W20
D ₁	845.5 mm
r _{1,2} min.	4 mm
r _{3,4} min.	6.4 mm
Basic dynamic load rating C	16800 kN



GF BEARING-SINGAPORE LTD.

Basic static load rating C_0	45000 kN
Fatigue load limit P_u	3150 kN
Calculation factor k_r	680