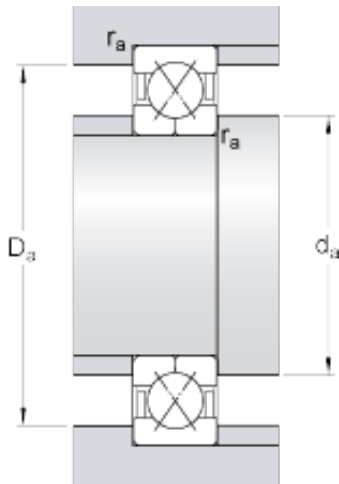




GF BEARING-SINGAPORE LTD.



200 mm x 360 mm x 70 mm skf QJ 1240 N2MA
four-point contact ball bearings

Bearing No. QJ 1240 N2MA

QJ 1240 N2MA Bearing 2D drawings and 3D CAD models

d	200 mm
D	360 mm
B	70 mm
d ₁	260 mm
D ₁	300 mm
a	280 mm
h	12.7 mm
b	10.55 mm
r ₀	2 mm
r _{1,2} min.	4 mm
d _a min.	218 mm
D _a max.	384 mm
r _a max.	3 mm
Basic dynamic load rating C	520 kN
Basic static load rating C ₀	865 kN
Fatigue load limit P _u	21.6 kN
Limiting speed	3000 r/min
Calculation factor A	4.41
Calculation factor e	1.34
Calculation factor X	0.54
Calculation factor Y ₀	0.44
Calculation factor Y ₁	0.47
Calculation factor Y ₂	0.81
Mass bearing	32.5 kg