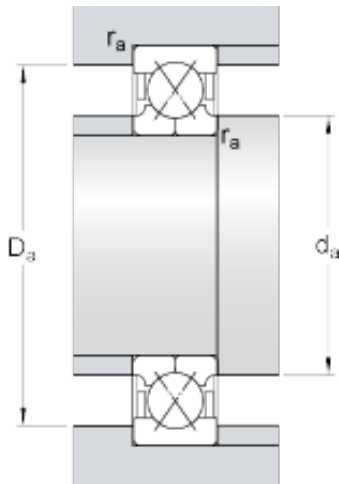




## GF BEARING-SINGAPORE LTD.



65 mm x 120 mm x 23 mm skf QJ 213 N2PHAS  
four-point contact ball bearings

Bearing No. QJ 213 N2PHAS

d	65 mm
D	120 mm
B	23 mm
d <sub>1</sub>	78.5 mm
D <sub>1</sub>	101 mm
a	65 mm
h	6.5 mm
b	6.5 mm
r <sub>0</sub>	0.5 mm
r <sub>1,2</sub> min.	1.5 mm
d <sub>a</sub> min.	74 mm
D <sub>a</sub> max.	111 mm
r <sub>a</sub> max.	1.5 mm
Basic dynamic load rating C	110 kN
Basic static load rating C <sub>0</sub>	112 kN
Fatigue load limit P <sub>u</sub>	4.75 kN
Limiting speed	9500 r/min
Calculation factor A	0.033
Calculation factor e	0.95
Calculation factor X	0.6
Calculation factor Y <sub>0</sub>	0.58
Calculation factor Y <sub>1</sub>	0.66
Calculation factor Y <sub>2</sub>	1.07
Mass bearing	1.2 kg

QJ 213 N2PHAS Bearing 2D drawings and 3D CAD models