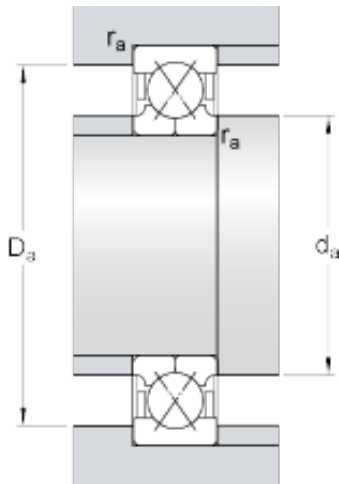




GF BEARING-SINGAPORE LTD.



35 mm x 72 mm x 17 mm skf QJ 207 N2MA
four-point contact ball bearings

Bearing No. QJ 207 N2MA

QJ 207 N2MA Bearing 2D drawings and 3D CAD models

d	35 mm
D	72 mm
B	17 mm
d ₁	44 mm
D ₁	59 mm
a	37 mm
h	3.5 mm
b	4.5 mm
r ₀	0.5 mm
r _{1,2} min.	1.1 mm
d _a min.	42 mm
D _a max.	65 mm
r _a max.	1 mm
Basic dynamic load rating C	49 kN
Basic static load rating C ₀	41.5 kN
Fatigue load limit P _u	1.76 kN
Limiting speed	17000 r/min
Calculation factor A	0.00473
Calculation factor e	0.95
Calculation factor X	0.6
Calculation factor Y ₀	0.58
Calculation factor Y ₁	0.66
Calculation factor Y ₂	1.07
Mass bearing	0.35 kg