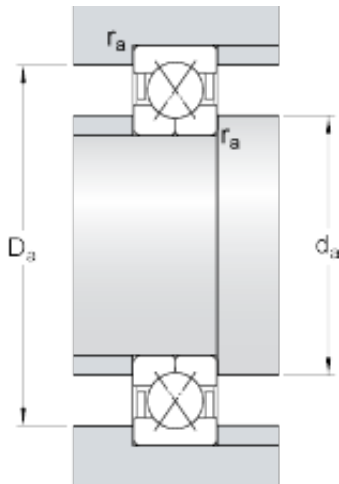




GF BEARING-SINGAPORE LTD.



340 mm x 520 mm x 82 mm skf QJ 1068 N2MA
four-point contact ball bearings

Bearing No. QJ 1068 N2MA

QJ 1068 N2MA Bearing 2D drawings and 3D CAD models

d	340 mm
D	520 mm
B	82 mm
d ₁	403 mm
D ₁	457 mm
a	301 mm
h	15 mm
b	12.5 mm
r ₀	2.5 mm
r _{1,2} min.	5 mm
d _a min.	362 mm
D _a max.	498 mm
r _a max.	4 mm
Basic dynamic load rating C	780 kN
Basic static load rating C ₀	1700 kN
Fatigue load limit P _u	35.5 kN
Limiting speed	1800 r/min
Calculation factor A	8.12
Calculation factor e	0.95
Calculation factor X	0.6
Calculation factor Y ₀	0.58
Calculation factor Y ₁	0.66
Calculation factor Y ₂	1.07
Mass bearing	67.5 kg