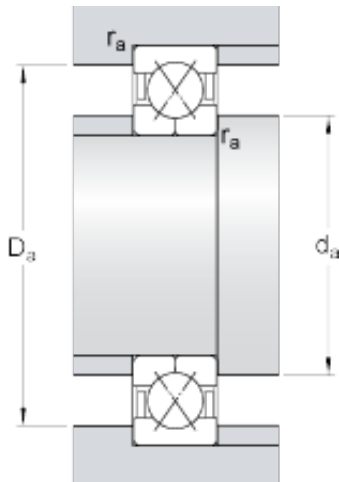




## GF BEARING-SINGAPORE LTD.



320 mm x 480 mm x 74 mm skf QJ 1064 MA  
four-point contact ball bearings

Bearing No. QJ 1064 MA

d	320 mm
D	480 mm
B	74 mm
d <sub>1</sub>	376 mm
D <sub>1</sub>	424 mm
a	280 mm
r <sub>1,2</sub> min.	5 mm
d <sub>a</sub> min.	338 mm
D <sub>a</sub> max.	462 mm
r <sub>a</sub> max.	3 mm
Basic dynamic load rating C	715 kN
Basic static load rating C <sub>0</sub>	1530 kN
Fatigue load limit P <sub>u</sub>	32 kN
Limiting speed	2000 r/min
Calculation factor A	6.29
Calculation factor e	0.95
Calculation factor X	0.6
Calculation factor Y <sub>0</sub>	0.58
Calculation factor Y <sub>1</sub>	0.66
Calculation factor Y <sub>2</sub>	1.07
Mass bearing	50 kg

QJ 1064 MA Bearing 2D drawings and 3D CAD models