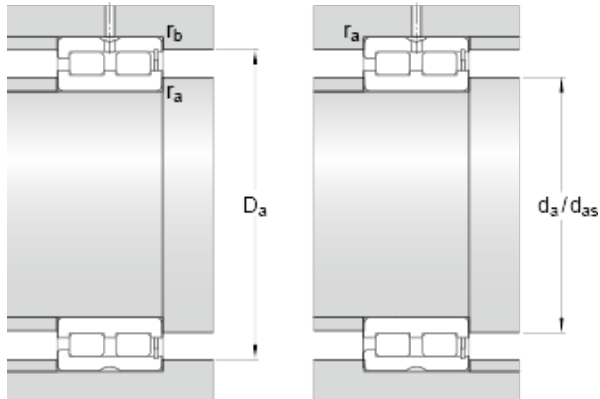




GF BEARING-SINGAPORE LTD.



380 mm x 520 mm x 140 mm skf NNCF 4976
CV Double row full complement cylindrical roller
bearings

Bearing No. NNCF 4976 CV

d	380 mm
D	520 mm
B	140 mm
d ₁	430 mm
D ₁	469 mm
b ₁	9.4 mm
K	5 mm
s max.	7 mm
r _{1,2} min.	4 mm
r _{3,4} min.	4 mm
d _a min.	398 mm
d _{as}	414 mm
D _a max.	502 mm
r _a max.	3 mm
r _b max.	3 mm
Basic dynamic load rating C	2380 kN
Basic static load rating C ₀	5700 kN
Fatigue load limit P _u	500 kN
Reference speed	500 r/min
Limiting speed	630 r/min
Calculation factor k _r	0.25
Mass bearing	91.5 kg

NNCF 4976 CV Bearing 2D drawings and 3D CAD
models