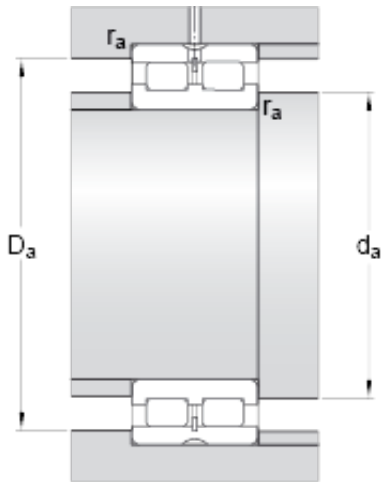




GF BEARING-SINGAPORE LTD.



190 mm x 260 mm x 69 mm skf NNCL 4938 CV
Double row full complement cylindrical roller
bearings

Bearing No. NNCL 4938 CV

d	190 mm
D	260 mm
B	69 mm
d ₁	216 mm
E	240.7 mm
b ₁	7 mm
K	4 mm
s max.	4 mm
r _{1,2} min.	2 mm
d _a min.	201 mm
D _a max.	250 mm
r _a max.	2 mm
Basic dynamic load rating C	605 kN
Basic static load rating C ₀	1290 kN
Fatigue load limit P _u	132 kN
Reference speed	1100 r/min
Limiting speed	1400 r/min
Calculation factor k _r	0.25
Mass bearing	10.9 kg

NNCL 4938 CV Bearing 2D drawings and 3D CAD
models