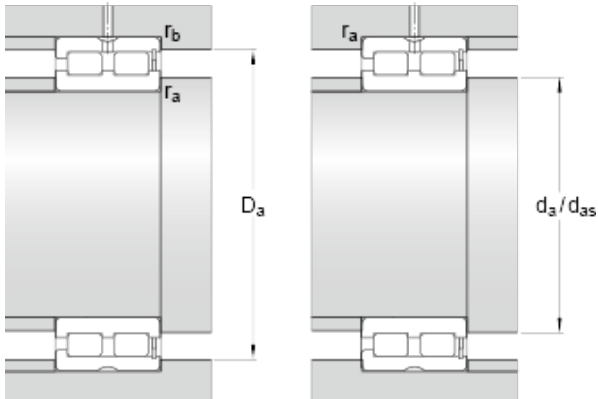




## GF BEARING-SINGAPORE LTD.



160 mm x 220 mm x 60 mm skf NNCF 4932 CV  
Double row full complement cylindrical roller bearings

Bearing No. NNCF 4932 CV

d	160 mm
D	220 mm
B	60 mm
d <sub>1</sub>	185 mm
D <sub>1</sub>	200 mm
b <sub>1</sub>	7 mm
K	4 mm
s max.	4 mm
r <sub>1,2</sub> min.	2 mm
r <sub>3,4</sub> min.	2 mm
d <sub>a</sub> min.	170 mm
d <sub>as</sub>	177 mm
D <sub>a</sub> max.	211 mm
r <sub>a</sub> max.	2 mm
r <sub>b</sub> max.	2 mm
Basic dynamic load rating C	446 kN
Basic static load rating C <sub>0</sub>	915 kN
Fatigue load limit P <sub>u</sub>	96.5 kN
Reference speed	1300 r/min
Limiting speed	1600 r/min
Calculation factor k <sub>r</sub>	0.25
Mass bearing	6.9 kg

NNCF 4932 CV Bearing 2D drawings and 3D CAD models