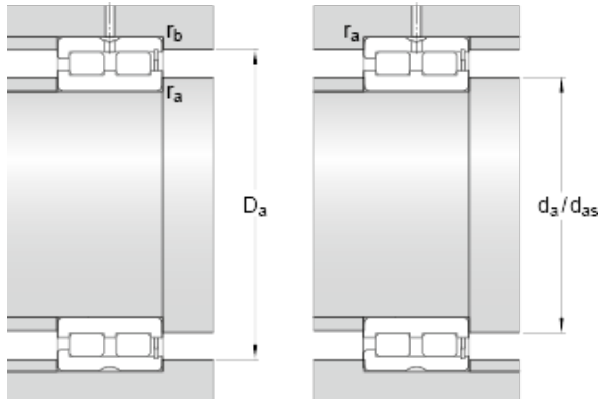




## GF BEARING-SINGAPORE LTD.



55 mm x 90 mm x 46 mm skf NNCF 5011 CV  
Double row full complement cylindrical roller bearings

Bearing No. NNCF 5011 CV

d	55 mm
D	90 mm
B	46 mm
d <sub>1</sub>	68.5 mm
D <sub>1</sub>	78.7 mm
b <sub>1</sub>	4.5 mm
K	3.5 mm
s max.	1.5 mm
r <sub>1,2</sub> min.	1.1 mm
r <sub>3,4</sub> min.	0.6 mm
d <sub>a</sub> min.	61 mm
d <sub>as</sub>	64.8 mm
D <sub>a</sub> max.	84 mm
r <sub>a</sub> max.	1 mm
r <sub>b</sub> max.	0.5 mm
Basic dynamic load rating C	190 kN
Basic static load rating C <sub>0</sub>	280 kN
Fatigue load limit P <sub>u</sub>	34.5 kN
Reference speed	3400 r/min
Limiting speed	4300 r/min
Calculation factor k <sub>r</sub>	0.5
Mass bearing	1.16 kg

NNCF 5011 CV Bearing 2D drawings and 3D CAD models