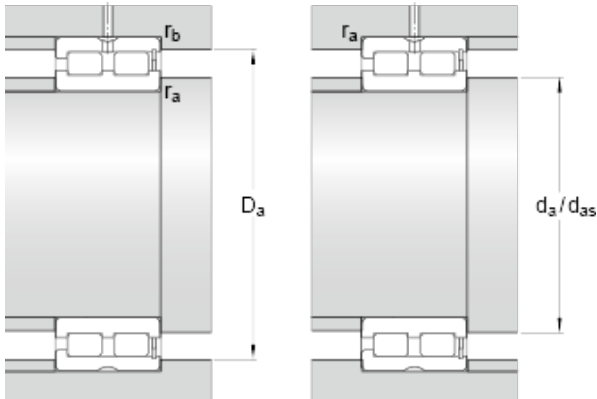




GF BEARING-SINGAPORE LTD.



80 mm x 110 mm x 30 mm skf NNCF 4916 CV
Double row full complement cylindrical roller bearings

Bearing No. NNCF 4916 CV

NNCF 4916 CV Bearing 2D drawings and 3D CAD models

| | |
|---|------------|
| d | 80 mm |
| D | 110 mm |
| B | 30 mm |
| d ₁ | 92 mm |
| D ₁ | 96 mm |
| b ₁ | 5 mm |
| K | 3.5 mm |
| s max. | 1 mm |
| r _{1,2} min. | 1 mm |
| r _{3,4} min. | 1 mm |
| d _a min. | 84.8 mm |
| d _{as} | 88 mm |
| D _a max. | 105.3 mm |
| r _a max. | 1 mm |
| r _b max. | 1 mm |
| Basic dynamic load rating C | 121 kN |
| Basic static load rating C ₀ | 216 kN |
| Fatigue load limit P _u | 25 kN |
| Reference speed | 2600 r/min |
| Limiting speed | 3400 r/min |
| Calculation factor k _r | 0.25 |
| Mass bearing | 0.87 kg |