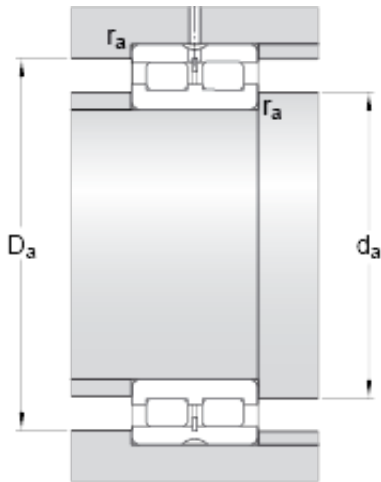




GF BEARING-SINGAPORE LTD.



130 mm x 180 mm x 50 mm skf NNCL 4926 CV
Double row full complement cylindrical roller
bearings

Bearing No. NNCL 4926 CV

d	130 mm
D	180 mm
B	50 mm
d ₁	149.5 mm
E	165.4 mm
b ₁	6 mm
K	3.5 mm
s max.	4 mm
r _{1,2} min.	1.5 mm
d _a min.	138 mm
D _a max.	173 mm
r _a max.	1.5 mm
Basic dynamic load rating C	297 kN
Basic static load rating C ₀	530 kN
Fatigue load limit P _u	60 kN
Reference speed	1600 r/min
Limiting speed	2000 r/min
Calculation factor k _r	0.25
Mass bearing	3.8 kg

NNCL 4926 CV Bearing 2D drawings and 3D CAD
models