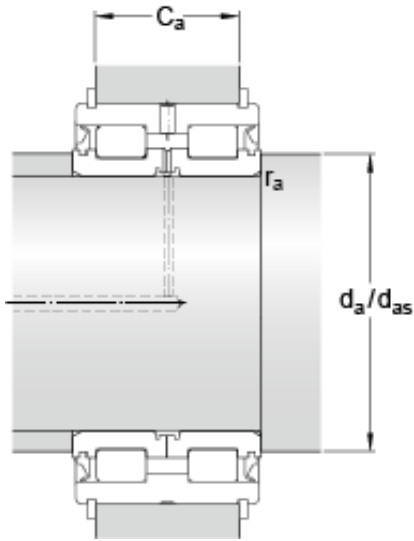




GF BEARING-SINGAPORE LTD.



NNF 5048 B-2LS Bearing 2D drawings and 3D CAD models

240 mm x 360 mm x 160 mm skf NNF 5048 B-2LS Double row full complement cylindrical roller bearings

Bearing No. NNF 5048 B-2LS

d	240 mm
D	360 mm
B	160 mm
C	159 mm
d ₁	282.5 mm
D ₃	354 mm
C ₁	138.2 mm
+	0.2 mm
C ₂	10.4 mm
b	6.3 mm
b ₁	9.5 mm
K	6 mm
r min.	2 mm
r _{3,4} min.	1 mm
d _a min.	247 mm
d _{as}	275 mm
C _{a1}	130 mm
-	0.2 mm
C _{a2}	126 mm
-	0.2 mm
r _a max.	2 mm
Basic dynamic load rating C	1680 kN
Basic static load rating C ₀	3350 kN
Fatigue load limit P _u	335 kN
Limiting speed	340 r/min



GF BEARING-SINGAPORE LTD.

Calculation factor k_r	0.4
Mass bearing	57.5 kg
Snap ring Seeger	SW 360
Snap ring in accordance with DIN 471	360x6