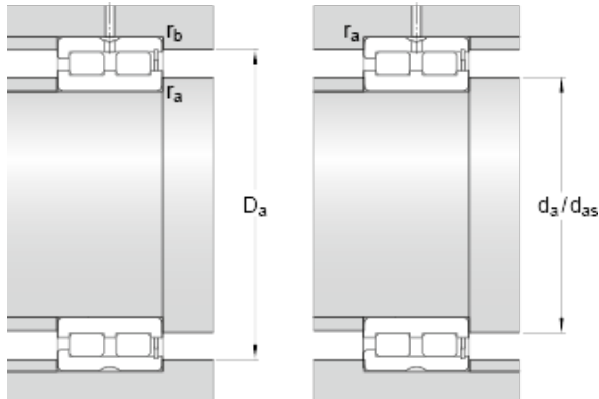




GF BEARING-SINGAPORE LTD.



400 mm x 500 mm x 100 mm skf NNCF 4880 CV Double row full complement cylindrical roller bearings

Bearing No. NNCF 4880 CV

NNCF 4880 CV Bearing 2D drawings and 3D CAD models

d	400 mm
D	500 mm
B	100 mm
d ₁	434 mm
D ₁	462 mm
b ₁	9.4 mm
K	5 mm
s max.	6 mm
r _{1,2} min.	2.1 mm
r _{3,4} min.	2.1 mm
d _a min.	411 mm
d _{as}	423 mm
D _a max.	488 mm
r _a max.	2 mm
r _b max.	2 mm
Basic dynamic load rating C	1420 kN
Basic static load rating C ₀	3750 kN
Fatigue load limit P _u	325 kN
Reference speed	500 r/min
Limiting speed	630 r/min
Calculation factor k _r	0.2
Mass bearing	46.2 kg