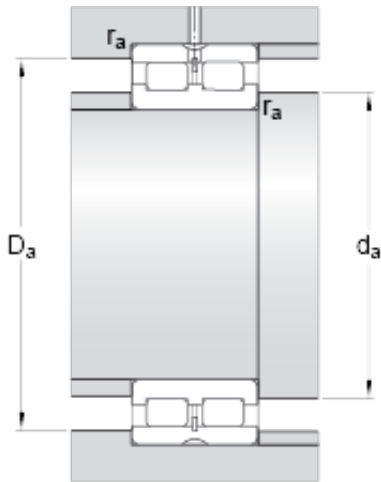




GF BEARING-SINGAPORE LTD.



340 mm x 460 mm x 118 mm skf NNCL 4968
CV Double row full complement cylindrical roller
bearings

Bearing No. NNCL 4968 CV

d	340 mm
D	460 mm
B	118 mm
d ₁	385 mm
E	430.11 mm
b ₁	9.4 mm
K	5 mm
s max.	6 mm
r _{1,2} min.	3 mm
d _a min.	356 mm
D _a max.	445 mm
r _a max.	2.5 mm
Basic dynamic load rating C	1790 kN
Basic static load rating C ₀	4250 kN
Fatigue load limit P _u	390 kN
Reference speed	560 r/min
Limiting speed	700 r/min
Calculation factor k _r	0.25
Mass bearing	57.8 kg

NNCL 4968 CV Bearing 2D drawings and 3D CAD
models