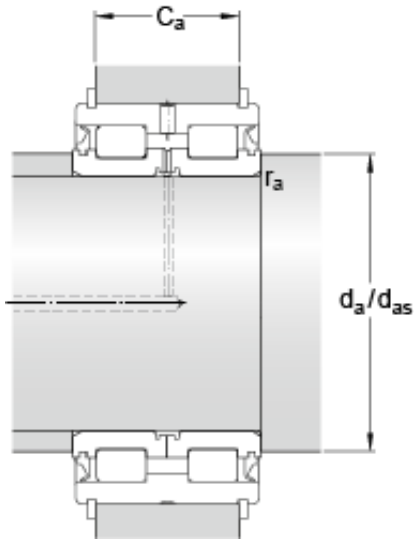




GF BEARING-SINGAPORE LTD.



NNF 5017 B-2LS Bearing 2D drawings and 3D CAD models

85 mm x 130 mm x 60 mm skf NNF 5017 B-2LS
Double row full complement cylindrical roller
bearings

Bearing No. NNF 5017 B-2LS

d	85 mm
D	130 mm
B	60 mm
C	59 mm
d ₁	101.5 mm
D ₃	127.1 mm
C ₁	54.2 mm
+	0.2 mm
C ₂	2.4 mm
b	4.2 mm
b ₁	6 mm
K	3.5 mm
r min.	1.5 mm
r _{3,4} min.	0.6 mm
d _a min.	91 mm
d _{as}	100 mm
C _{a1}	49 mm
-	0.2 mm
C _{a2}	46 mm
-	0.2 mm
r _a max.	1 mm
Basic dynamic load rating C	270 kN
Basic static load rating C ₀	430 kN
Fatigue load limit P _u	55 kN
Limiting speed	1000 r/min



GF BEARING-SINGAPORE LTD.

Calculation factor k_r	0.4
Mass bearing	2.83 kg
Snap ring Seeger	SW 130
Snap ring in accordance with DIN 471	130x4